

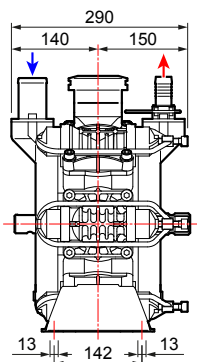
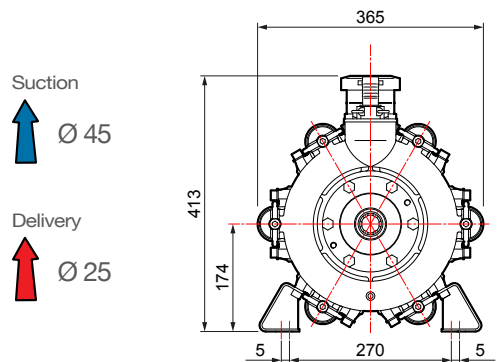


LOW PRESSURE DIAPHRAGM PUMPS



# BP 205/235

6 Diaphragm



## AVAILABLE MODELS

### BP 205/235

1 3/8" Male 6 Splined Shaft on Both Sides



## ACCESSORIES & REPAIR KITS

### Comet Oil



8102.1801.00

### GRV 4V Regulator



1204.0572.00

### Shaft Protector



2416.0226.00

### Rebuild Kit



Desmopan: 5026.0127.00

RPM	0 bar - 0 p.s.i.				5 bar - 72 p.s.i.				10 bar - 145 p.s.i.				15 bar - 217 p.s.i.				20 bar - 290 p.s.i.				kg / lb	
	Flow		Power		Flow		Power		Flow		Power		Flow		Power		Flow		Power			
	l/min	U.S.g.p.m.	HP	KW	l/min	U.S.g.p.m.	HP	KW	l/min	U.S.g.p.m.	HP	KW	l/min	U.S.g.p.m.	HP	KW	l/min	U.S.g.p.m.	HP	KW		
400	144	38	0.6	0.4	143	38	2.0	1.5	142	37	3.7	2.7	142	37	5.7	4.2	141	37	7.3	5.4	32	70.5
450	162	43	0.8	0.6	160	42	2.3	1.7	160	42	4.4	3.2	159	42	6.5	4.8	158	42	8.2	6.0		
500	178	47	1.2	0.9	178	47	2.8	2.1	177	47	4.9	3.6	177	47	7.3	5.4	176	46	9.2	6.8		
550	197	52	1.5	1.1	196	52	3.2	2.4	195	51	5.7	4.2	194	51	8.2	6.0	193	51	10.2	7.5		